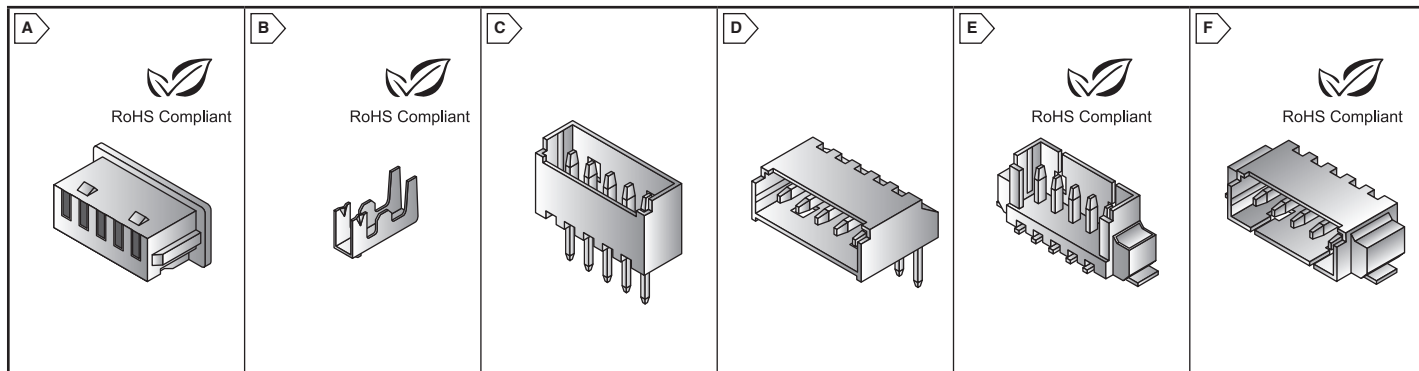


MOLEX PicoBlade™ 1.25mm (.049") Connectors

molex
one company > a world of innovation



The 1.25mm (.049") pitch PicoBlade™ system is designed for high-density harness applications. It saves about 45% of PCB space compared to typical 2.00mm wire to board systems.

WIRE-TO-WIRE AND WIRE-TO-BOARD RECEPTACLES

- Features:**
- Series 51021
 - Housing lance provides extra terminal retention
 - Friction locks provide secure mating
 - Use with Series 50079/50058
 - Mates with Series 53398, 53261, 53047, and 53048
- Specifications:**
- Voltage: 125V
 - Current: 1.0A, 32AWG: 0.8A
 - Operating Temperature: -40°C to +85°C
 - Housing: PBTP, UL 94V-0

For quantities greater than listed, call for quote.

MOUSER STOCK NO.	Molex Part No.	Fig.	No. of Circuits	Price Each			
				1	10	100	500
538-51021-0200	51021-0200	A	2				
538-51021-0300	51021-0300	A	3				
538-51021-0400	51021-0400	A	4				
538-51021-0500	51021-0500	A	5				
538-51021-0600	51021-0600	A	6				
538-51021-0700	51021-0700	A	7				
538-51021-0800	51021-0800	A	8				
538-51021-0900	51021-0900	A	9				
538-51021-1000	51021-1000	A	10				
538-51021-1100	51021-1100	A	11				
538-51021-1200	51021-1200	A	12				
538-51021-1400	51021-1400	A	14				
538-51021-1500	51021-1500	A	15				

Female Crimp Terminals

- Features:**
- Use with 51021 Series
 - Locking tang secures terminal in housing
- Specifications:**
- Material: Phosphor Bronze
 - Plating: Tin

For quantities greater than listed, call for quote.

MOUSER STOCK NO.	Molex Part No.	Fig.	Wire Size AWG	Price Each			
				1	100	500	1000
538-50058-8000	50058-8000	B	28-32 (Reel)				
538-50058-8100	50058-8100	B	28-32 (Bulk)				
538-50079-8000	50079-8000	B	26-28 (Reel)				
538-50079-8100	50079-8100	B	26-28 (Bulk)				

Tools

For quantities greater than listed, call for quote.

MOUSER STOCK NO.	Molex Part No.	Description	Price Each
538-63819-0300	63819-0300	Hand Crimper for 1.25mm, 26-32AWG	
538-11-03-0043	11-03-0043	Extraction Tool-contact	

PCB HEADERS

Vertical

- Features:**
- Series 53047
 - Locking windows provide secure mating
 - Mates with Series 51021
 - Wire-to-Board
- Specifications:**
- Contact: Phosphor Bronze
 - Plating: Tin
 - Housing: 6/6 Nylon, UL 94V-0
 - Voltage: 125V
 - Current: 1.0A, 32AWG: 0.8A
 - Operating Temp.: -40°C to +85°C

For quantities greater than listed, call for quote.

MOUSER STOCK NO.	Molex Part No.	Fig.	No. of Circuits	Price Each			
				1	10	100	500
538-53047-0210	53047-0210	C	2				
538-53047-0310	53047-0310	C	3				
538-53047-0410	53047-0410	C	4				
538-53047-0510	53047-0510	C	5				
538-53047-0610	53047-0610	C	6				
538-53047-0710	53047-0710	C	7				
538-53047-0810	53047-0810	C	8				
538-53047-0910	53047-0910	C	9				
538-53047-1010	53047-1010	C	10				
538-53047-1110	53047-1110	C	11				
538-53047-1210	53047-1210	C	12				
538-53047-1410	53047-1410	C	14				
538-53047-1510	53047-1510	C	15				

PCB HEADERS (CONT.)

Right Angle

- Features:**
- Series 53048
 - Locking windows provide secure mating
 - Mates with Series 51021
 - Wire-to-Board
- Specifications:**
- Contact: Phosphor Bronze
 - Plating: Tin
 - Housing: 6/6 Nylon, UL 94V-0
 - Voltage: 125V
 - Current: 1.0A, 32AWG: 0.8A
 - Operating Temp.: -40°C to +85°C

For quantities greater than listed, call for quote.

MOUSER STOCK NO.	Molex Part No.	Fig.	No. of Circuits	Price Each			
				1	10	100	500
538-53048-0210	53048-0210	D	2				
538-53048-0310	53048-0310	D	3				
538-53048-0410	53048-0410	D	4				
538-53048-0510	53048-0510	D	5				
538-53048-0610	53048-0610	D	6				
538-53048-0710	53048-0710	D	7				
538-53048-0810	53048-0810	D	8				
538-53048-0910	53048-0910	D	9				
538-53048-1010	53048-1010	D	10				
538-53048-1410	53048-1410	D	14				
538-53048-1510	53048-1510	D	15				

Vertical, SMT

Series 53398

- Features:**
- Locking windows provide secure mating
 - Metal solder tabs provide PCB hold-down and strain relief for SMT tails
 - Mates with Series 51021
 - Surface Mount
 - Wire-to-Board
 - RoHS Compliant per Molex documentation
- Specifications:**
- Housing: 4/6 Nylon, UL 94V-0
 - Contact: Phosphor Bronze
 - Plating: Tin
 - Solder Tabs: Phosphor Bronze, Tin plating
 - Operating Temperature: -40°C to +85°C
 - Voltage: 125V
 - Current: 1.0A, 32AWG: 0.8A

For quantities greater than listed, call for quote.

MOUSER STOCK NO.	Molex Part No.	Fig.	No. of Circuits	Price Each			
				1	10	100	500
538-53398-0271	53398-0271	E	2				
538-53398-0371	53398-0371	E	3				
538-53398-0471	53398-0471	E	4				
538-53398-0571	53398-0571	E	5				
538-53398-0671	53398-0671	E	6				
538-53398-0871	53398-0871	E	8				
538-53398-0971	53398-0971	E	9				
538-53398-1071	53398-1071	E	10				
538-53398-1171	53398-1171	E	11				
538-53398-1271	53398-1271	E	12				
538-53398-1371	53398-1371	E	13				
538-53398-1471	53398-1471	E	14				
538-53398-1571	53398-1571	E	15				

Right Angle, SMT

Series 53261

- Features:**
- Locking windows provide secure mating
 - Metal solder tabs provide PCB hold-down and strain relief for SMT tails
 - Mates with Series 51021
 - Surface Mount
 - Wire-to-Board
- Specifications:**
- Housing: 4/6 Nylon, UL 94V-0
 - Contact: Phosphor Bronze
 - Plating: Tin/Lead
 - Solder Tabs: Phosphor Bronze, Tin/Lead plating
 - Operating Temperature: -40°C to +85°C
 - Voltage: 125V
 - Current: 1.0A, 32AWG: 0.8A

For quantities greater than listed, call for quote.

MOUSER STOCK NO.	Molex Part No.	Fig.	No. of Circuits	Price Each			
				1	10	100	500
538-53261-0271	53261-0271	F	2				
538-53261-0371	53261-0371	F	3				
538-53261-0471	53261-0471	F	4				
538-53261-0671	53261-0671	F	6				
538-53261-0771	53261-0771	F	7				
538-53261-0871	53261-0871	F	8				
538-53261-0971	53261-0971	F	9				
538-53261-1071	53261-1071	F	10				
538-53261-1471	53261-1471	F	14				
538-53261-1571	53261-1571	F	15				